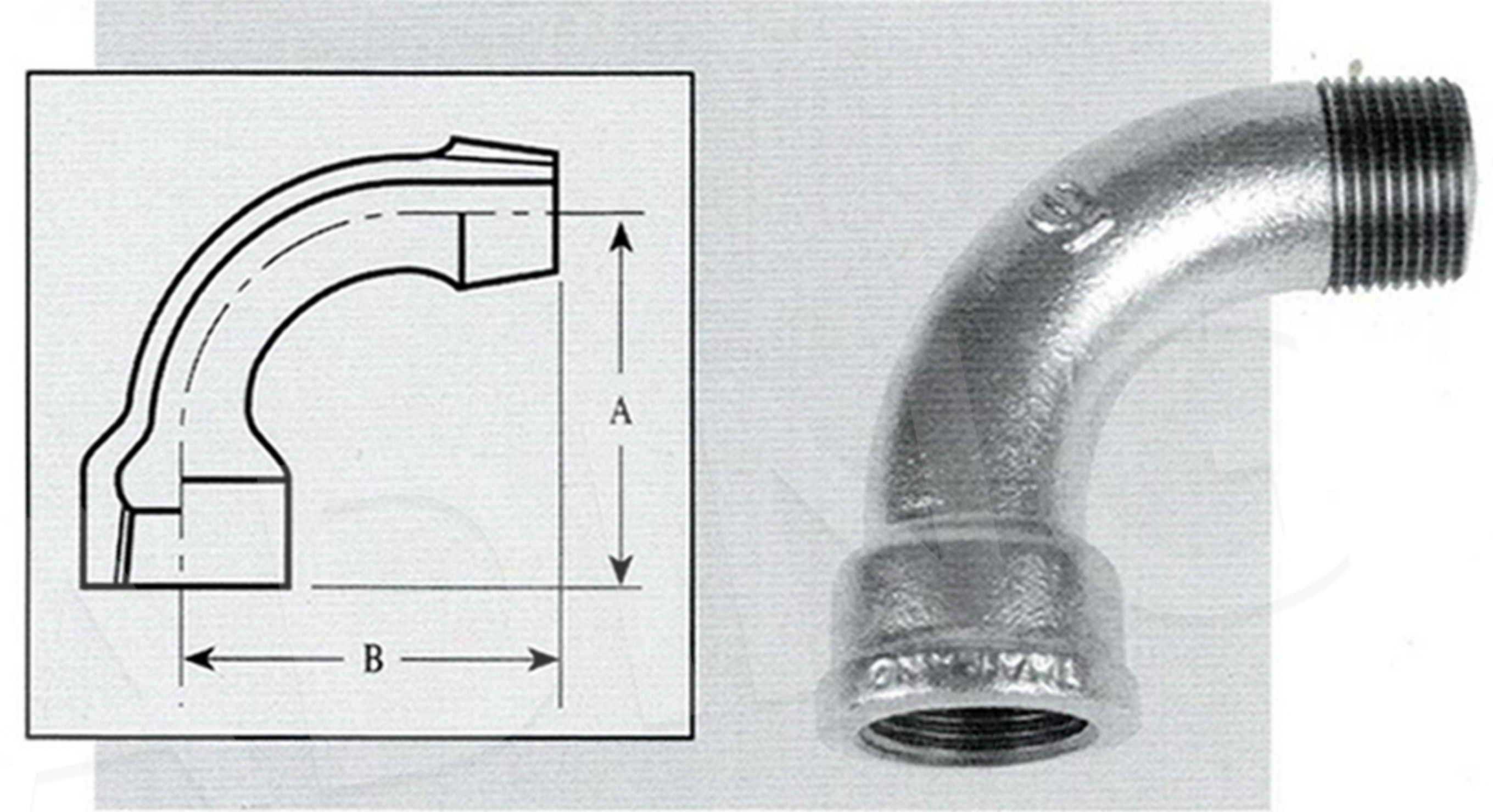


NOMINAL SIZE		A	B
mm	inch	mm	mm
6	1/8	35	32
8	1/4	40	36
10	3/8	48	42
15	1/2	55	48
20	3/4	69	60
25	1	85	75
32	1 1/4	105	95
40	1 1/2	116	105
50	2	140	130
65	2 1/2	176	165
80	3	205	190
100	4	260	245
125	5	318	318
150	6	375	375



**FIG.742**  
**Long Sweep Bends, Banded, M&F (BE M/F)**